



# VANTRUNK

---

**NOW  
STOCKED  
IN THE  
US!**



**UNIKLIP®  
CABLE TRAY SYSTEMS**



---

OFFICIAL DISTRIBUTOR - USA

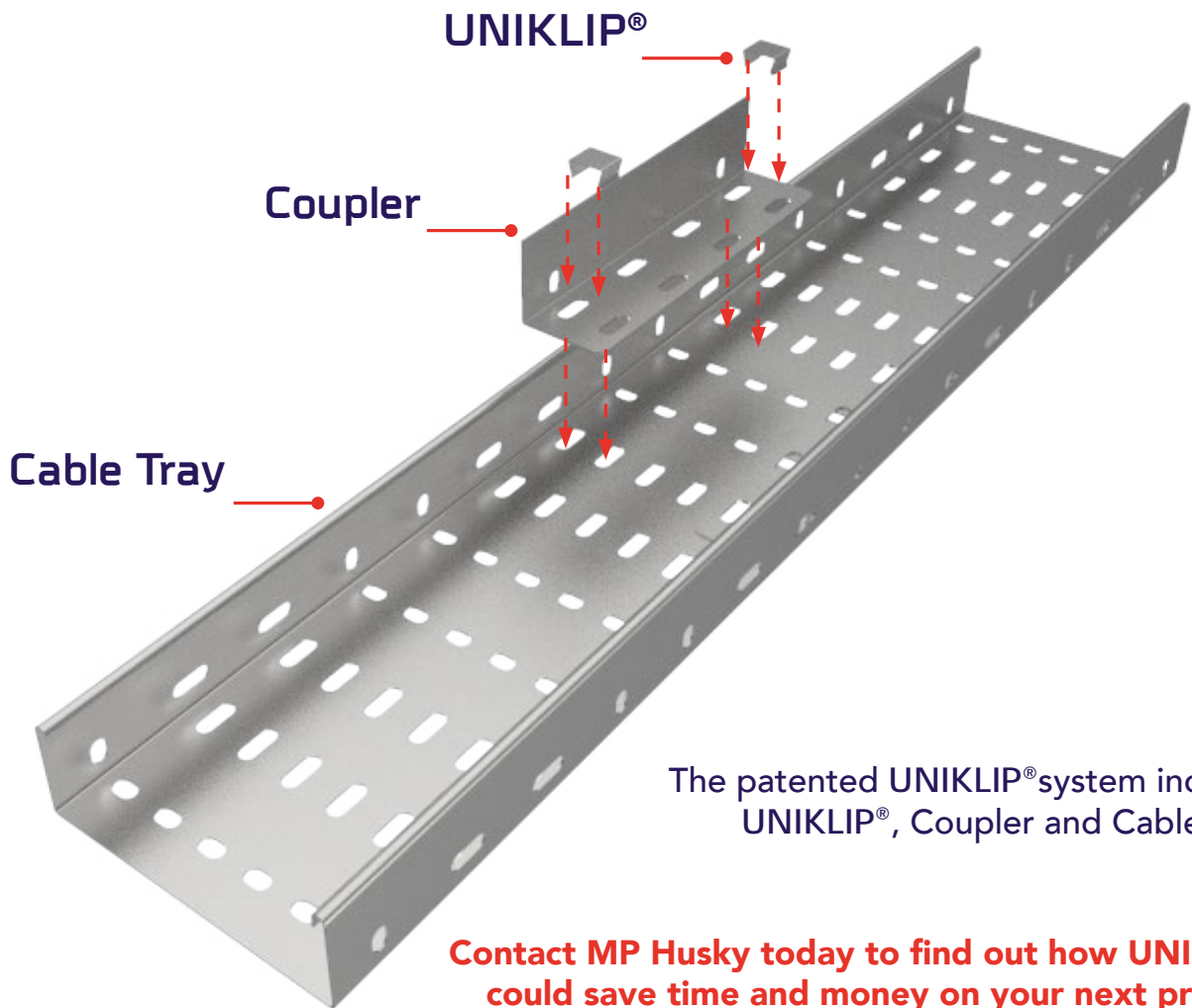




Install cable trays up to **3 times faster** with Vantrunk's revolutionary time-saving innovation.

The clever UNIKLIP® system replaces time consuming nut and bolt assembly with a simple "KLIP" method, speeding up the install process while maintaining the same, reliable strength and quality associated with Vantrunk products.

Finish installations up to 3X faster and **save up to 50%** on overall costs.



The patented UNIKLIP® system includes UNIKLIP®, Coupler and Cable Tray.

**Contact MP Husky today to find out how UNIKLIP® could save time and money on your next project.**



Vantrunk cable trays are tested and certified in accordance with NEMA VE1 & IEC 61537.



# Heavy Duty Cable Tray



Ref.	Tray Width (mm)
KLHR50T	50
KLHR75T	75
KLHR100T	100
KLHR150T	150
KLHR225T	225
KLHR300T	300
KLHR450T	450
KLHR600T	600



Available finishes include:  
 Pre-galvanised to BS EN 10346:2009  
 (standard references throughout brochure).  
 Powder coated (prefix reference with CP).

## UNIKLIP®

Bag Ref. KLIPPKT  
 Box Ref. KLIPBOX

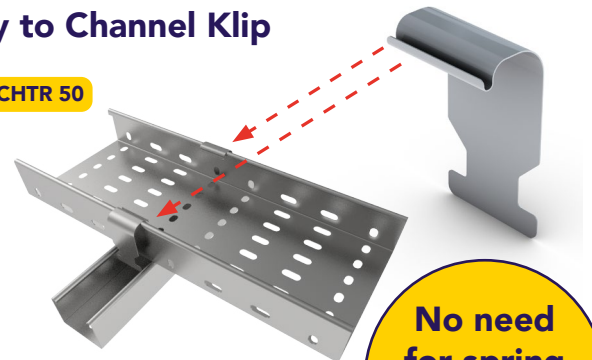


Available in bags of 40  
 or boxes of 200.

UNIKLIP® is supplied  
 with fittings and  
 couplers.

## Tray to Channel Klip

Ref. CHTR 50

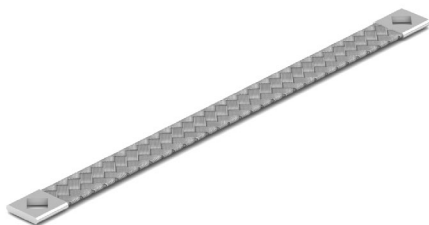


Simply slide the Klip onto  
 the channel and snap it  
 over the return flange of  
 the tray to secure.

**No need  
 for spring  
 nuts or  
 bolts!**

## Earth Braid

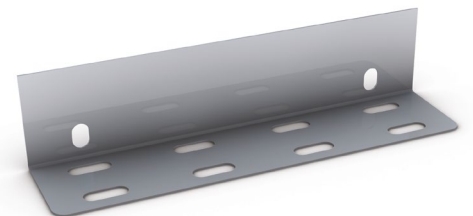
Ref. EBS05



Designed for use in installations  
 where an additional means of  
 earthing or electrical bonding  
 is specified.

## Straight Coupler

Ref. KLHR/SC



Length = 200mm.  
 Sold in pairs.  
 Supplied complete with Klips

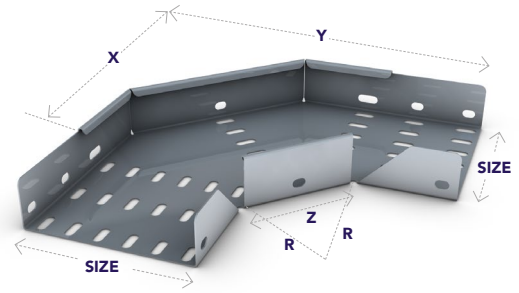
**NOW STOCKED IN THE US**

## Flat 90° Bend

Ref. KLHR 50-600FB90

Size	50	75	100	150	225	300	450	600
X	125	150	175	225	300	400	550	700
Y	213	238	263	313	388	488	638	788
Z	106	106	106	106	106	142	142	142
R	75	75	75	75	75	100	100	100

R: Radius

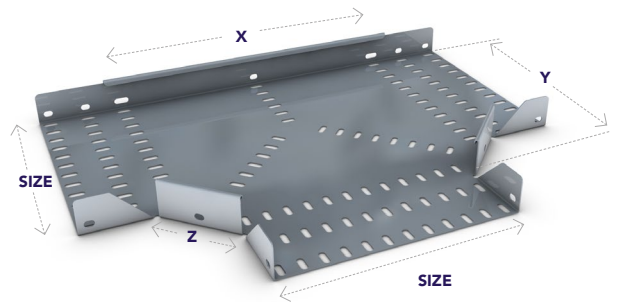


## Flat Equal Tee

Ref. KLHR 50-600ET

Size	50	75	100	150	225	300	450	600
X	196	221	246	296	371	446	596	746
Y	123	148	173	223	298	373	523	673
Z	106	106	106	106	106	106	106	106
R	75	75	75	75	75	75	75	75

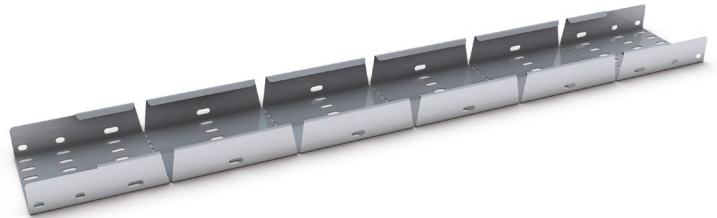
R: Radius



## Variable Riser

Ref.	Tray Width (mm)
KLHR50VR	50
KLHR75VR	75
KLHR100VR	100
KLHR150VR	150
KLHR225VR	225
KLHR300VR	300
KLHR450VR	450

(Fitting widths W. Sizes in mm)  
Standard radius: 300mm.



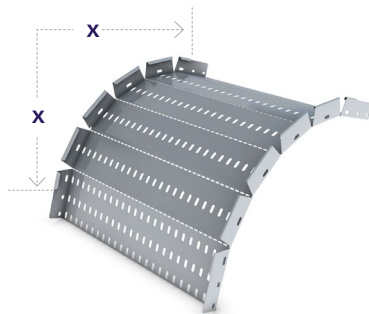
## Outside Riser

Ref. KLHR 600ER

Size	600
X	350

Standard radius: 300mm.

600mm will be supplied formed at 90°



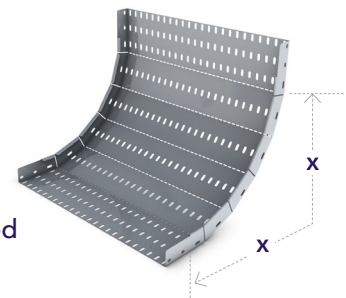
## Inside Riser

Ref. KLHR 600IR

Size	600
X	300

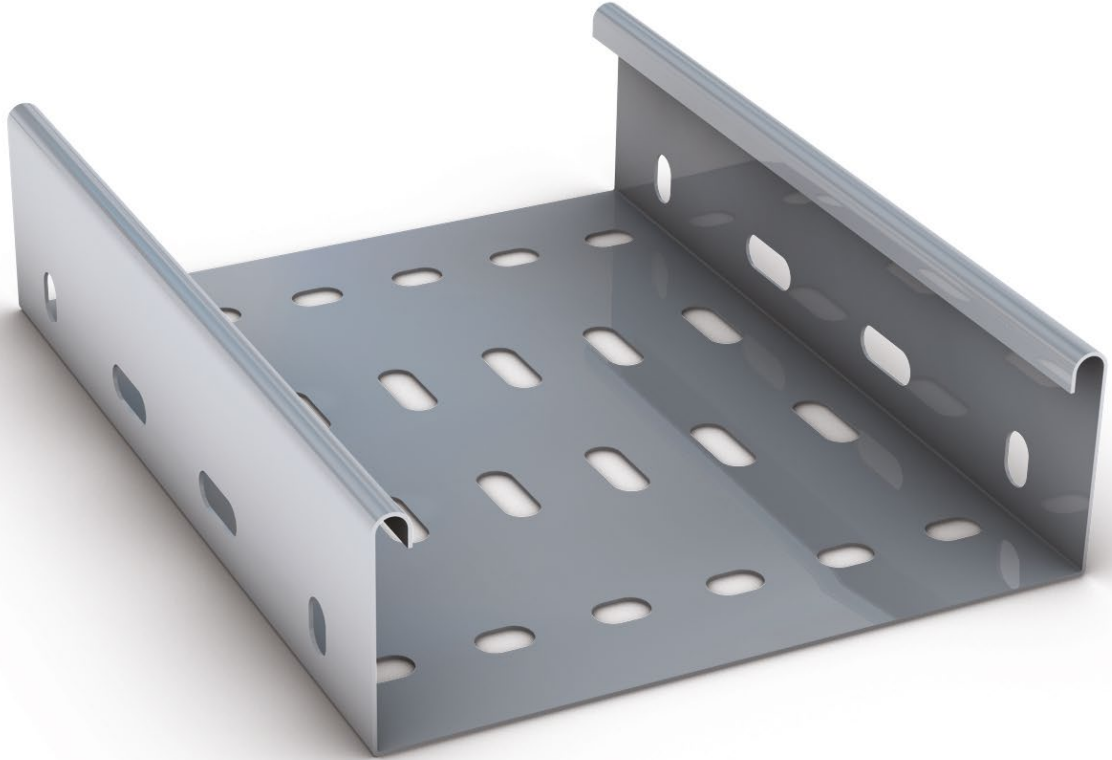
Standard radius: 300mm.

600mm will be supplied formed at 90°



**NOW  
STOCKED  
IN THE  
US**

# **UNIKLIP® CABLE TRAY SYSTEMS**



- ✓ **Fast moving ranges kept locally in the US**
- ✓ **Over \$4.5m of stock kept for fast shipping in the UK**
- ✓ **Widths 2" - 24"**
- ✓ **Heights 1" - 2"**

**AVAILABLE FOR FAST  
SHIPPING TODAY!**

**US DISTRIBUTOR**



**MP Husky**  
1370 Old Stage Rd  
Simpsonville SC 29681  
864-234-4800  
mphusky@mphusky.com