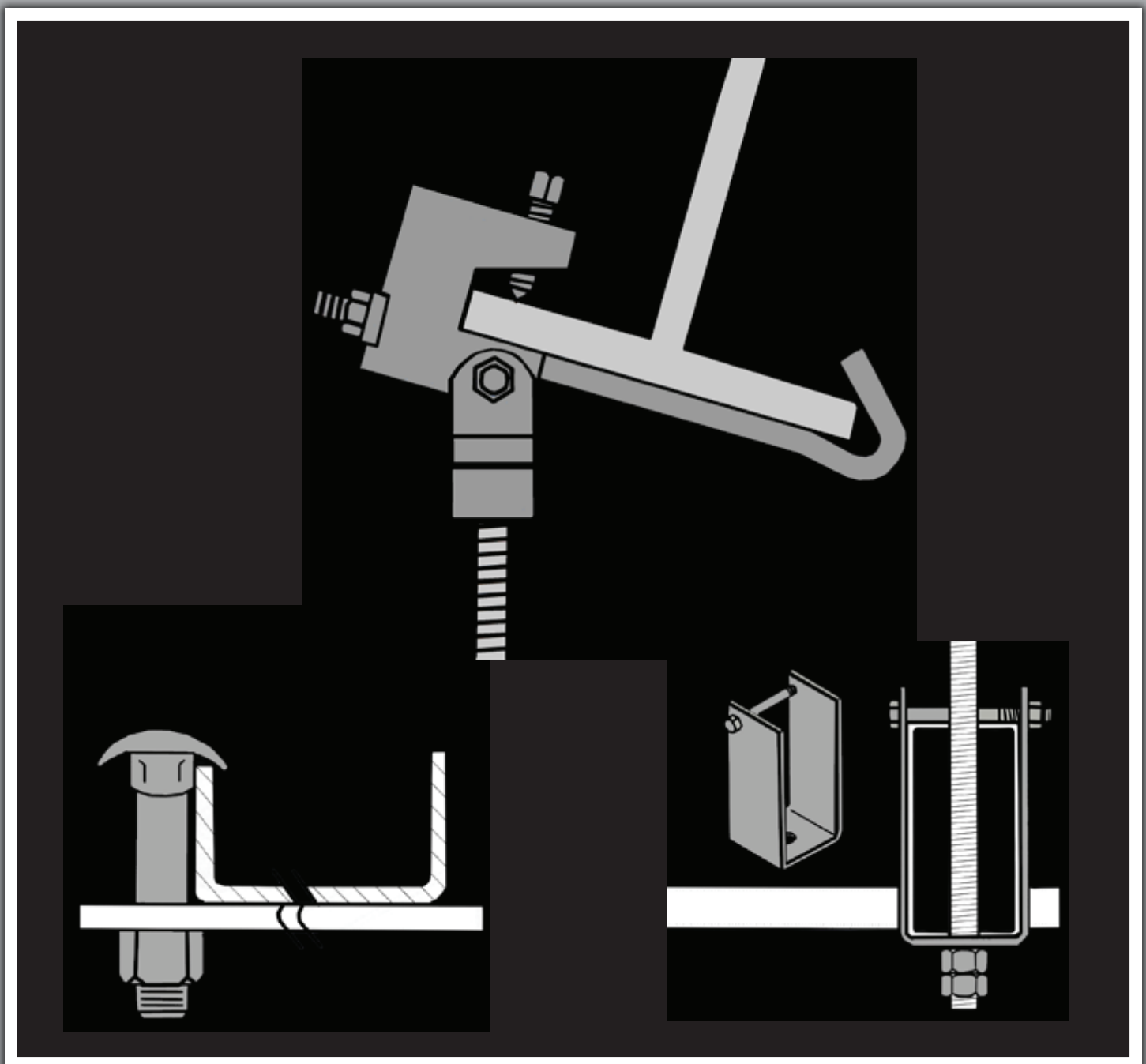
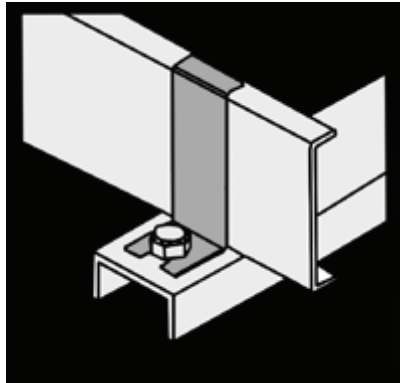




Support Material

Hold Down Clamps & Expansion Guides	Pgs. 149-152
Tray Hanger clips	Pg. 153
Hanger Kits	Pg. 154
Suspension Channels and Fittings	Pgs. 155-156
Beam Clamps	Pg. 157
Hangers.....	Pg. 158
Supports.....	Pgs. 159-160
Brackets.....	Pgs. 161-163

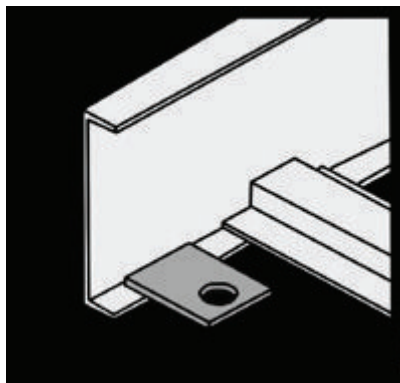




Single Hold Down/Expansion Clips for Flange-In Trough or Ladder

This clip holds flange-in trays securely to a lower support channel or bracket and can also be used as an expansion guide with a W-12 washer placed under the base. (W-12 washer sold separately) Use 1/2" hardware.

Siderail Height	Tray Type	Mill-Galv.	SS 304	SS 316	HDGAF	Galvann. (Husky Way)
3-3/8"	HA,NSH0,PSH0,ASH6	HB-2	4HB-2	6HB-2	GHB-2	NHB-2
4"	J2,NSJ0,PSJ0,ASJ6	JB-2	4JB-2	6JB-2	GJB-2	NJB-2
4-1/2"	JA,JB,KC,YA2,YD	KB-2	4KB-2	6KB-2	GKB-2	N/A
6"	M61,MB1,MC,MD4,X,X1,X1M XA,NSM0,PSM0,ASM6	MB-2	4MB-2	6MB-2	GMB-2	NMB-2
6-1/4"	XB,XC,XD	XCB-2	4XCB-2	6XC-2	GXCB-2	N/A
7"	MD7,MD74,X7,X71, XA7,XB7,XC7	X7B-2	4X7B-2	6X7B-2	GX7B-2	N/A
8"	L1	L1B-2	4L1B-2	6L1B-2	GL1B-2	N/A
10"	D1	D1B-2	4D1B-2	6D1B-2	GD1B-2	N/A

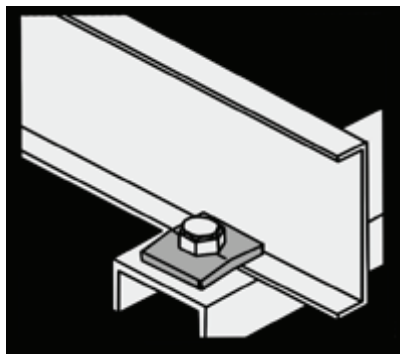


Single Hold Down Clips for Flange-In

This clip holds all Husky ladders to a support channel or bracket.

Tray Type	Zinc Plated	SS 304	SS 316	HDGAF
Flange-In 3/8" Hdw	SHDC-V	4HDC-V	6HDC-V	GHDC-V
Flange-In 1/2" Hdw	SHDC-V-1/2	4HDC-V-1/2	6HDC-V-1/2	GHDC-V-1/2

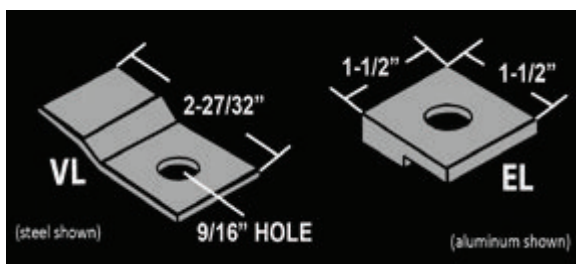
Hardware not included.



Single Hold Down Clips for Flange-Out or I-Beam Ladder

This clip holds Husky Ladder trays securely to a lower support channel or bracket. Use 1/2" hardware.

Tray Type	Aluminum	Zinc Plated	SS 304	SS 316	HDGAF
All Flange-Out	AHDC-A	SHDC-A	4HDC-A	6HDC-A	GHDC-A



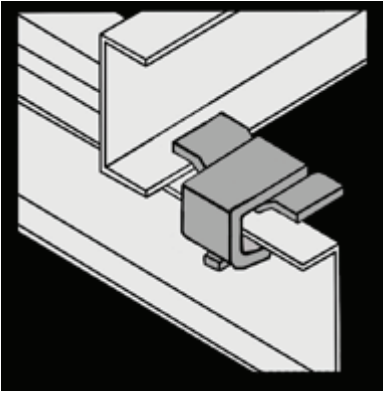
Guides for Ladder

Expansion guides are used to secure ladder style trays, while guiding the tray during movement during thermal expansion. For expansion guide recommendations, please refer to NEMA VE-2.

Tray Type	Alum.	Zinc Plated	SS 304	SS 316	HDGAF
All Flange-In Ladder	AEXG-VL	SEXG-VL	4EXG-VL	6EXG-VL	GEXG-VL
All Flange-Out & I-Beam Husky Tray	AEXG-EL	SEXG-EL	4EXG-EL	6EXG-EL	GEXG-EL

***All part numbers are for 1 each.**

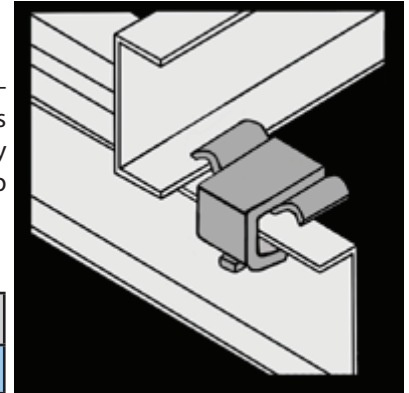
12-SUPPORT MATERIAL



Expansion Guide

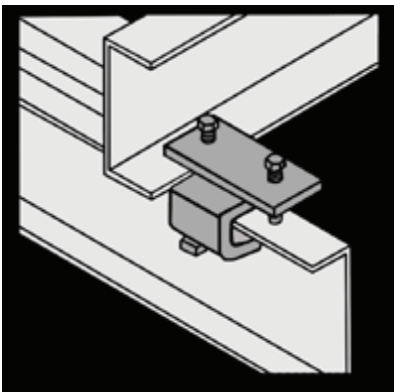
Hold Down/Expansion Guide for All Ladder Types

These special heavy duty tray hold down clamps and expansion guides are ideal for fastening tray to C-Channels and beams, such as those found on bridges. They are easy to install and reduce field labor costs since the beam clamp set screw eliminates the need to drill the C-Channel.



Hold Down

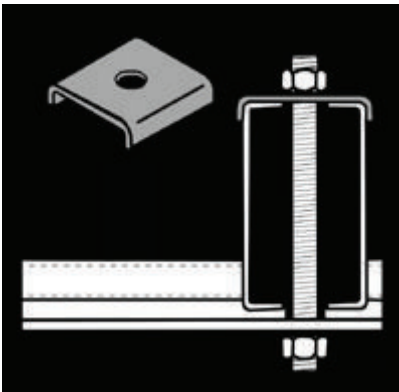
All Ladder	Zinc Plated	HDGAF
Hold Down Clamp	ZCC-HDC	GCC-HDC
Expansion Guide	ZCC-EXC	GCC-EXC



Hold Down/Expansion Guide for Flange-Out Ladder

These special heavy duty tray hold down clamps and expansion guides are ideal for fastening tray to C-Channels, such as those found on bridges. They are easy to install and reduce field labor costs since the beam clamp set screw eliminates the need to drill the C-Channel.

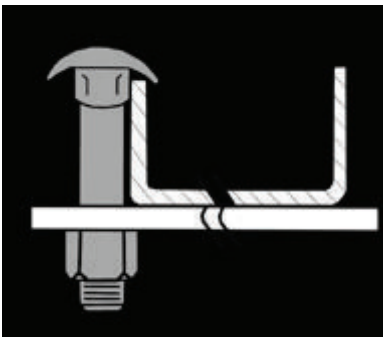
All Flange-Out Ladders	Zinc Plated	HDGAF
Hold Down Clamp	HP-514A-PW	GHP-514A-PW
Expansion Guide	HP-514A-PWO	GHP-514A-PWO



Double Hold Down Clips for Ladder and Trough

Double hold down clips allow two side by side trays to be fastened to the support with one clip and less hardware. It is also used as a double hanger. Use 1/2" hardware (Sold Separately).

Tray Top Flange Width	Alum.	Zinc Plated	SS 304	SS 316	HDGAF
3/4"	AHDC-2A	SHDC-2A	4HDC-2A	6HDC-2A	GHDC-2A
1"	AHDC-2P61	SHDC-2P61	4HDC-2P61	6HDC-2P61	GHDC-2P61
1-1/4"	AHDC-2FC	SHDC-2FC	4HDC-2FC	6HDC-2FC	GHDC-2FC
1-1/2"	AHDC-2CA	SHDC-2CA	4HDC-2CA	6HDC-2CA	GHDC-2CA
1-3/4"	AHDC-2C	SHDC-2C	4HDC-2C	6HDC-2C	GHDC-2C
2"	AHDC-2IMB	SHDC-2IMB	4HDC-2IMB	6HDC-2IMB	GHDC-2IMB



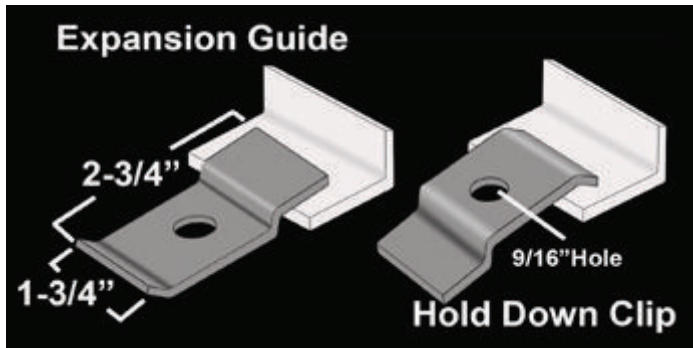
Hold Down Bolts for Channel

Special 3/8" bolts are used to fasten 4" & 6" wide Husky channels to channel hangers and other supports.

	Zinc Plated	HDGAF
Catalog Number	HB-10	GHB-10

12-SUPPORT MATERIAL

**All part numbers are for 1 each.*



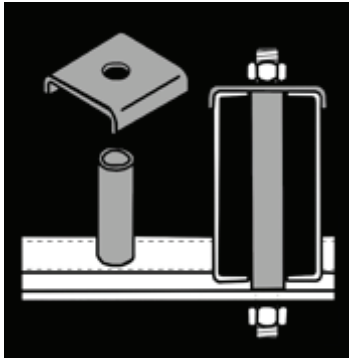
Heavy Duty Combination Hold Down Clip/ Expansion Guide for Flange-Out and I-Beam Style Tray **(NEW)**

These heavy duty Combination Hold Down Clips/Expansion Guides can be used in one orientation as a Hold Down Clip and flipped upside down to use as an Expansion Guide, eliminating the need to determine the exact number needed of each type before ordering. Hardware is not included.

Tray Type	Alum.	Zinc Plated	SS 304	SS 316	HDGAF
All Flange-Out & I-Beam	AHDEC	SHDEC	4HDEC	6HDEC	GHDEC

Expansion Guides for Double Ladder and Trough

These expansion guides are used to retain two side by side trays, while allowing tray movement due to thermal expansion. Use 1/2" hardware. (Sold Separately)



Tray	Alum.	Zinc Plated	SS 304	SS 316	HDGAF
HA	AG-2HA-EX	SG-2HA-EX	4G-2HA-EX	6G-2HA-EX	GSG-2HA-EX
NSH0,PSH0,ASH6	AG-2H-EX	SG-2H-EX	4G-2H-EX	6G-2H-EX	GSG-2H-EX
J2,B2	AG-2B2-EX	SG-2B2-EX	4G-2B2-EX	6G-2B2-EX	GSG-2B2-EX
NSJ0,PSJ0,ASJ6	AG-2B-EX	SG-2B-EX	4G-2B-EX	6G-2B-EX	GSG-2B-EX
JA,JB,BB	AG-2KB-EX	SG-2KB-EX	4G-2KB-EX	6G-2KB-EX	GSG-2KB-EX
KC,FC	AG-2FC-EX	SG-2FC-EX	4G-2FC-EX	6G-2FC-EX	GSG-2FC-EX
MB1,M61,P61,PB1	AG-2P61-EX	SG-2P61-EX	4G-2P61-EX	6G-2P61-EX	GSG-2P61-EX
YA2,CA2	AG-2CA-EX	SG-2CA-EX	4G-2CA-EX	6G-2CA-EX	GSG-2CA-EX
YD,CD	AG-2CD-EX	SG-2CD-EX	4G-2CD-EX	6G-2CD-EX	GSG-2CD-EX
MD4,PD4 NSMO,PSMO,ASM6,E1M	AG-2PD4-EX	SG-2PD4-EX	4G-2PD4-EX	6G-2PD4-EX	GSG-2PD4-EX
X,X1,X1M,E,E1,EA,XA,E1M	AG-2X-EX	SG-2X-EX	4G-2X-EX	6G-2X-EX	GSG-2X-EX
XB,XC,XD,EB,EC,ED	AG-2EB-EX	SG-2EB-EX	4G-2EB-EX	6G-2EB-EX	GSG-2EB-EX
X7,E7,X71,E71, XA7,XB7,XC7,EB7,EC7	AG-2E71-EX	SG-2E71-EX	4G-2E71-EX	6G-2E71-EX	GSG-2E71-EX
MD7,MD74,PD7,PD74	AG-2MD7-EX	SG-2MD7-EX	4G-2MD7-EX	6G-2MD7-EX	GSG-2MD7-EX

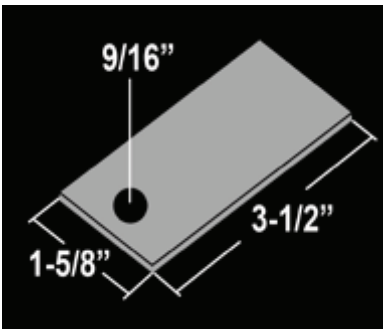
12-SUPPORT MATERIAL



Heavy Duty Hold Down Clamp **(NEW)**

These 3" wide heavy duty hold down clamps can be used to attach the cable tray to most surfaces by field drilling holes into the side of the tray and the mounting surface. Hardware for attaching to tray is included.

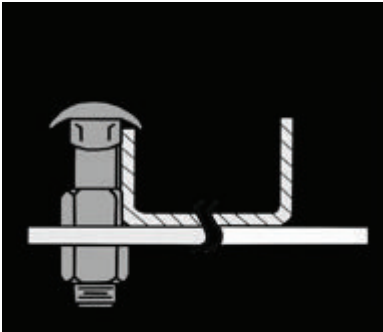
Alum.	Zinc Plated	SS 304	SS 316	HDGAF
AHDC-HV	SHDC-HV	4HDC-HV	6HDC-HV	GHDC-HV



Nylon Pad

Used for insulating hold-downs and for insulating tray.

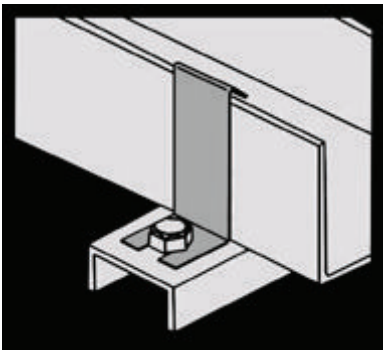
Catalog # **INSL-VE**



Expansion Guide Bolts for Channel

These 3/8" guide bolts are used to retain 4" and 6" wide Husky Channel to the support, while allowing thermal expansion movement.

	Zinc Plated	HDGAF
Catalog No.	SGB-GU	GSGB-GU

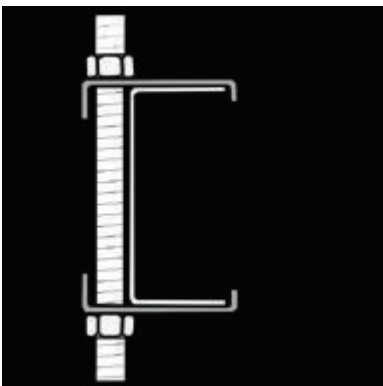


Hold Down Clips/Expansion Guides for Channel

These clips hold 4" and 6" wide Husky Channel to a lower support channel or bracket and can be used as an expansion guide with a W-5 washer placed under the base. (W-5 washers sold separately) Use 3/8" hardware.

Tray Type	Mill Galv.	SS 304	SS 316	HDGAF
All Channel	SHDC-GU	4HDC-GU	6HDC-GU	GHDC-GU

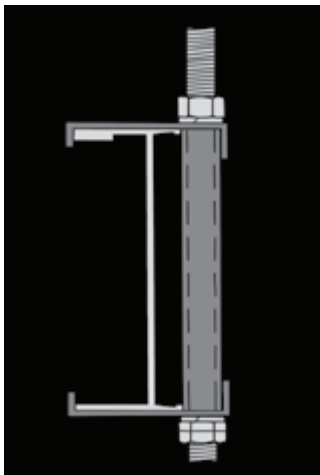
12-SUPPORT MATERIAL



Hanger Clip Set for Flange-In Trays

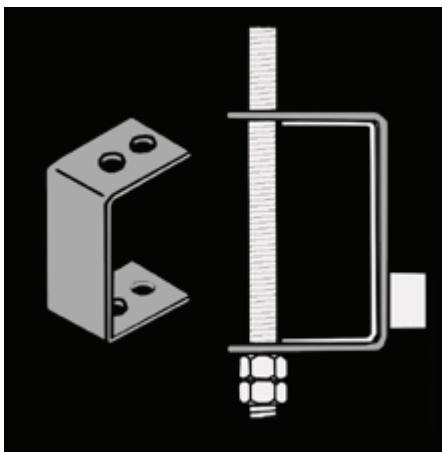
The two-piece Husky Trough and Husky Ladder hanger is used in conjunction with the 1/2" hanger rod and eliminates the need for separate horizontal support members and hold down clips. (Part # is for one top and bottom set—not for use on Husky way).

Tray Type	Zinc Plated	SS 304	SS 316	HDGAF
JA,JB,MD4,MD7,MD74	SHC-M	4HC-M	6HC-M	GSHC-M
MB1,M61	SHC-100	4HC-100	6HC-100	GSHC-100
HA,J2,KC	SHC-125	4HC-125	6HC-125	GSHC-125
MC	SHC-MC	4HC-MC	6HC-MC	GSHC-MC
YA2	SHC-YA	4HC-YA	6HC-YA	GSHC-YA
XA	SHC-XA	4HC-XA	6HC-XA	GSHC-XA
XB,XC	SHC-XB	4HC-XB	6HC-XB	GSHC-XB
XA7,X,X1,XC7,XD,XB7,YD, X1M,X71,X7,L1,D1	SHC-YX	4HC-YX	6HC-YX	GSHC-YX


I-Beam Tray Hanger

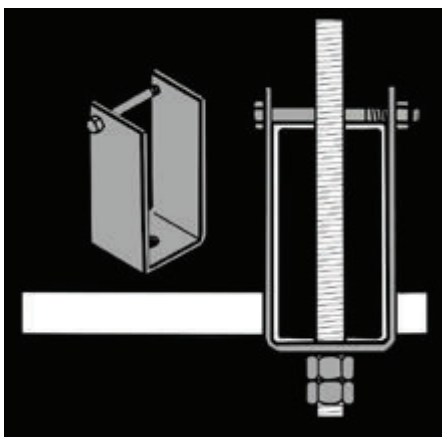
Tray hanger for 1-1/4" and 2" flange I-Beam Trays (not for I6 & I8). Includes top and bottom clamps and spacer. Use with 1/2" hanger rod. Hanger rod, washers and hex nuts purchased separately. Sold as each.

Tray Type	Zinc Plated	SS 304	SS 316	HDGAF
IJA,IJB,IJC	SHC-IJA	4HC-IJA	6HC-IJA	GSHC-IJA
IYA,IYB,IYC	SHC-IYC	4HC-IYC	6HC-IYC	GSHC-IYC
IMB,IMC,IMD,IXA,IXB,IXC,IXD	SHC-IXB	4HC-IXB	6HC-IXB	GSHC-IXB
IXD7	SHC-IXD7	4HC-IXD7	6HC-IXD7	GSHC-IXD7


Single Hanger Clips for Flange-Out Trays

Two inch wide single hanger clips are used with the 1/2" hanger rod to hold Husky Ladder firmly in place. Sold as each.

Tray Type	Alum.	Zinc Plated	SS 304	SS 316	HDGAF
B2	---	SHC-CB	4HC-CB	6HC-CB	GSHC-CB
BB	AHC-KB	SHC-KB	4HC-KB	6HC-KB	GSHC-KB
FC	AHC-FC	SHC-FC	4HC-FC	6HC-FC	GSHC-FC
CA2	AHC-CA2	SHC-CA	4HC-CA	6HC-CA	GSHC-CA
CD	---	SHC-CD	4HC-CD	6HC-CD	GSHC-CD
PD4,PC,E,EA,E1,E1M	AHC-EP	SHC-EP	4HC-EP	6HC-EP	GSHC-EP
PB1,P61	AHC-P61	SHC-P61	4HC-P61	6HC-P61	GSHC-P61
EB,EC,ED	AHC-EB	SHC-EB	4HC-EB	6HC-EB	GSHC-EB
E7,E71,EB7,EC7	AHC-E71	SHC-E71	4HC-E71	6HC-E71	GSHC-E71
PD7,PD74	----	SHC-PD7	4HC-PD7	6HC-PD7	GSHC-MD7


Double Hanger Clips

Double hanger clips are used in the center of two side by side ladders and help with a 1/2" hanger rod. The top bolt is included with each unit. Sold as each.

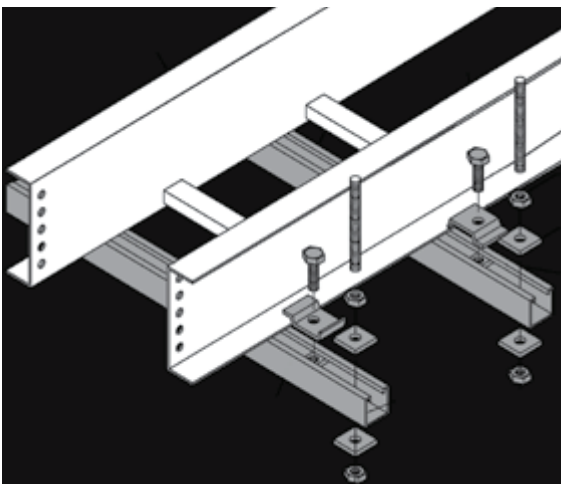
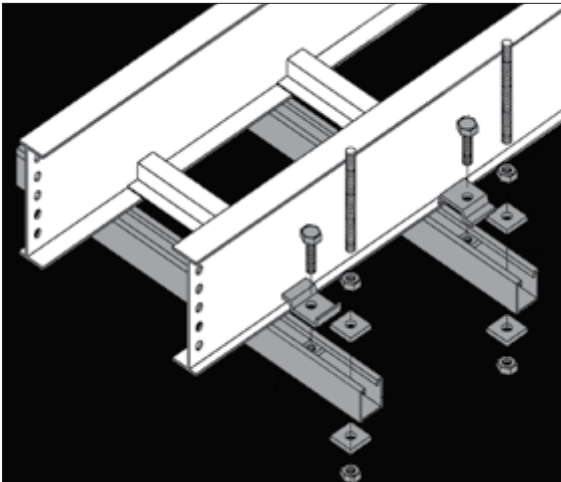
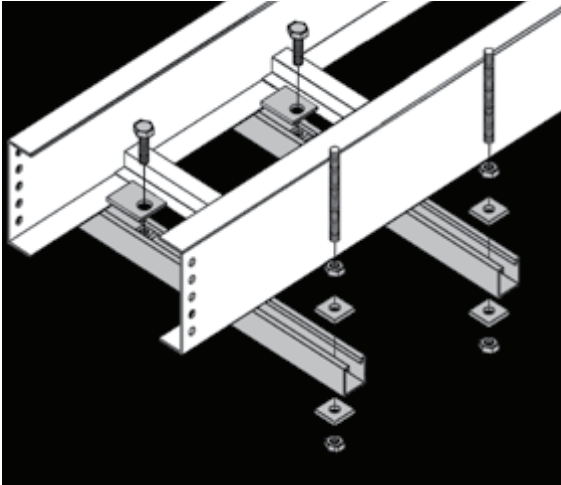
Tray Type	Alum.	Zinc Plated	SS 304	SS 316	HDGAF
B2	---	SHC-2B2	4HC-2B2	6HC-2B2	GSHC-2B2
FC	---	SHC-2FC	4HC-2FC	6HC-2FC	GSHC-2FC
BB	AHC-2KB	SHC-2KB	4HC-2KB	6HC-2KB	GSHC-2KB
CA2	AHC-2CA2	SHC-2CA	4HC-2CA	6HC-2CA	GSHC-2CA
CD	---	SHC-2CD	4HC-2CD	6HC-2CD	GSHC-2CD
PC	AHC-2P	SHC-2P	4HC-2P	6HC-2P	GSHC-2P
PB1,P61	AHC-2P61	SHC-2P61	4HC-2P61	6HC-2P61	GSHC-2P61
E,EA,E1,E1M	AHC-2E	SHC-2E	4HC-2E	6HC-2E	GSHC-2E
EB,EC,ED	AHC-2EB	SHC-2EB	4HC-2EB	6HC-2EB	GSHC-2EB
E7,E71,EB7,EC7	AHC-2E71	SHC-2E71	4HC-2E71	6HC-2E71	GSHC-2E71
PD7,PD74	---	SHC-2PD7	4HC-2PD7	6HC-2PD7	GSHC-2PD7

12-SUPPORT MATERIAL

Trapeze Support Kits

These trapeze support kits include all the hardware needed to attach various types of trays to 1/2" threaded hanging rods (rods not included). Included with each kit is the strut, hold down clips with spring nuts and bolts, and washers and nuts needed to attach to threaded rod. There is also an option to use double strut, which is one piece of strut welded to the bottom of another for added strength.

Hanger Rods Not Included



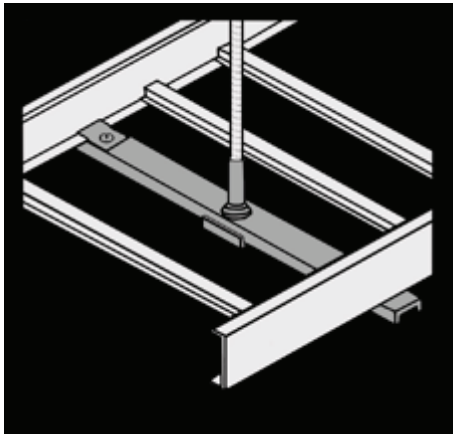
Example: TSHP200- (insert tray width)-1

FLANGE-IN TRAPEZE SUPPORT		
Single Strut	Double Strut	Trapeze Length
TSHP200-6-1	TSHP201-6-1	11"
TSHP200-9-1	TSHP201-9-1	14"
TSHP200-12-1	TSHP201-12-1	17"
TSHP200-18-1	TSHP201-18-1	23"
TSHP200-24-1	TSHP201-24-1	29"
TSHP200-30-1	TSHP201-30-1	35"
TSHP200-36-1	TSHP201-36-1	41"
TSHP200-42-1	TSHP201-42-1	47"
TSHP200-48-1	TSHP201-48-1	53"

I-BEAM TRAPEZE SUPPORT (EXCEPT 16 & 18)		
Single Strut	Double Strut	Trapeze Length
TSHP200-6-2	TSHP201-6-2	16"
TSHP200-9-2	TSHP201-9-2	20"
TSHP200-12-2	TSHP201-12-2	22"
TSHP200-18-2	TSHP201-18-2	28"
TSHP200-24-2	TSHP201-24-2	34"
TSHP200-30-2	TSHP201-30-2	40"
TSHP200-36-2	TSHP201-36-2	46"
TSHP200-42-2	TSHP201-42-2	52"
TSHP200-48-2	TSHP201-48-2	58"

FLANGE-OUT TRAPEZE SUPPORT		
Single Strut	Double Strut	Trapeze Length
TSHP200-6-3	TSHP201-6-3	18"
TSHP200-9-3	TSHP201-9-3	22"
TSHP200-12-3	TSHP201-12-3	24"
TSHP200-18-3	TSHP201-18-3	30"
TSHP200-24-3	TSHP201-24-3	36"
TSHP200-30-3	TSHP201-30-3	42"
TSHP200-36-3	TSHP201-36-3	48"
TSHP200-42-3	TSHP201-42-3	54"
TSHP200-48-3	TSHP201-48-3	60"

12-SUPPORT MATERIAL

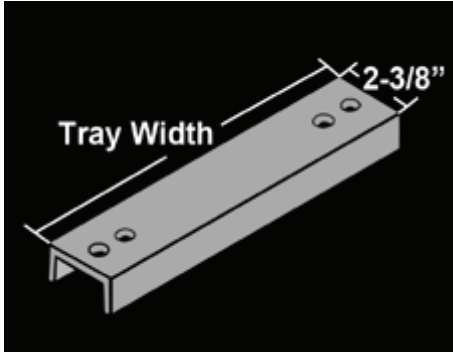


Center Support

Center Support Channel is used with 1/2" hanger rod (not included). Trough style trays will require drilling holes for hanger rod to pass through.
() = insert width

Tray Type	Aluminum	HDGAF	SS 316
Ladder			
All Flange-In	VACS-()	VSCS-()	6VSCS-()
All Flange-Out	EACS-()	ESCS-()	6ESCS-()
Husky Trough			
HA	--	VSCS-()-H	6VSCS-()-H
J2	--	VSCS-()-J	6VSCS-()-J
JA,JB,KC,YA,MD7,MD74	VACS-()-K	VSCS-()-K	6VSCS-()-K
MD4,M61,MC,MB1	VACS-()-M	VSCS-()-M	6VSCS-()-M

Trapeze Support Channels

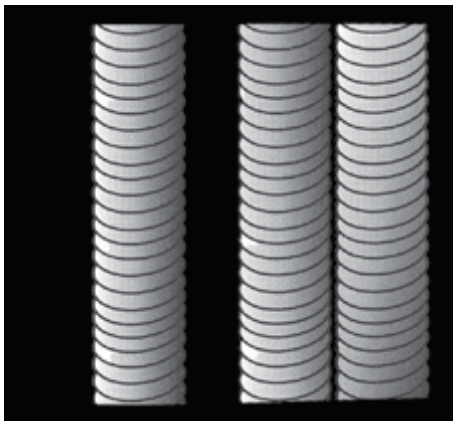


Channels are used with 1/2" hanger rods (not included) to support ladder style trays where hanger clips cannot be utilized and for troughs with or without hold-down clips. When used with flange-in style tray, only HB-2, JB-2, etc. style hold-down clips can be used.

Tray Width	Aluminum	HDGAF	SS304	SS316
36"	ASC-36	SSC-36	4SC-36	6SC-36
30"	ASC-30	SSC-30	4SC-30	6SC-30
24"	ASC-24	SSC-24	4SC-24	6SC-24
18"	ASC-18	SSC-18	4SC-18	6SC-18
12"	ASC-12	SSC-12	4SC-12	6SC-12
9"	ASC-9	SSC-9	4SC-9	6SC-9
6"	ASC-6	SSC-6	4SC-6	6SC-6

12-SUPPORT MATERIAL

Hanger Rods

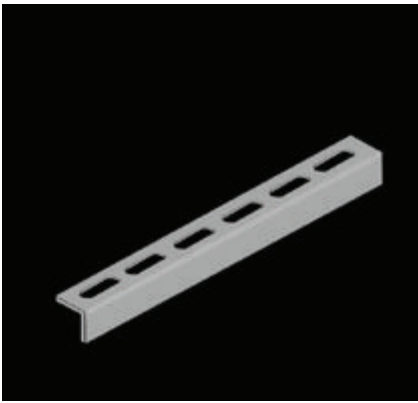


1/2" diameter, 13 threads per inch hanger rods can be used with all tray support channels, angles and hanger clips. They have continuous threads and are furnished with 4 (N-12) nuts, 2 (W-9) lock-washers and 2 (W-12) flat washers.

Maximum allowable load:

Use for design, 1100 lbs., in combination with all standard suspension fittings, hanger clips, and couplings normally used. The safe load is much higher.

Item	Plated Steel	Stainless 316
10'0" Hanger Rod	HR-120G	6HR-120G
5'0" Hanger Rod	HR-60G	6HR-60G
2'-6" Hanger Rod	HR-30G	6HR-30G
Extra Hex Nuts	N-12	N-12-6S
Extra Lock Washers	W-9	W-9-6S
Extra Flat Washers	W-12	W-12-6S



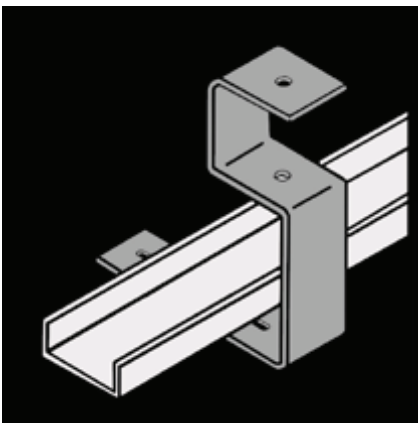
Trapeze Support Angles

Angles are continuously slotted to hold down Husky Trough using HB-1 bolts, and can be used to support all tray types with 1/2" hanger rod suspended from overhead.

Maximum allowable load:

Will safely support any loaded tray of the designated width within the load limits of the hanger rod.

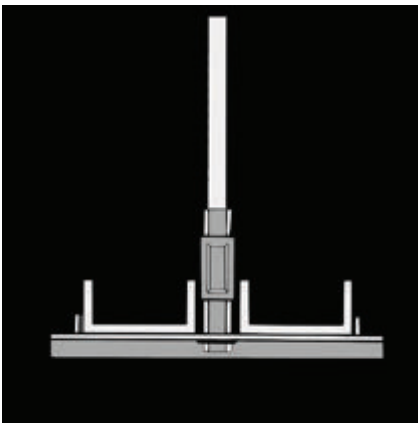
Tray Width	HDGAF
36"	STSA-36
30"	STSA-30
24"	STSA-24
18"	STSA-18
12"	STSA-12
9"	STSA-9
6"	STSA-6



Single Channel Hangers

Single channel hangers are used to support single 4" or 6" wide Husky Channels from 1/2" hanger rod. The bottom support member, on which the channel rests, is drilled to accommodate HB-10 hold-down bolts, or SGB-GU expansion guide bolts.

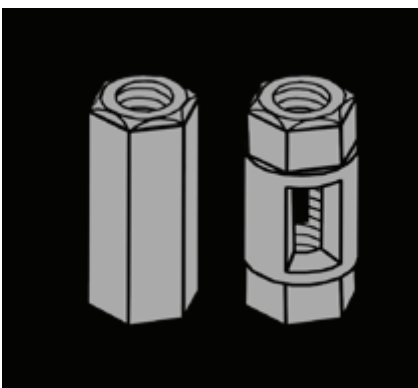
Channel Type	HDGAF	SS 304	SS 316
4",6"	SH-GU	4SH-GU	6SH-GU



Double Channel Hangers

Double hangers support double, 4" or 6" wide Husky Channels from 1/2" hanger rods. The support member, on which the channel rests, is drilled to accommodate HB-10 hold-down bolts, or SGB-GU expansion guide bolts.

Channel Type	HDGAF	SS 304	SS 316
4"	SH-2G4	4SH-2G4	6SH-2G4
6"	SH-2G6	4SH-2G6	6SH-2G6

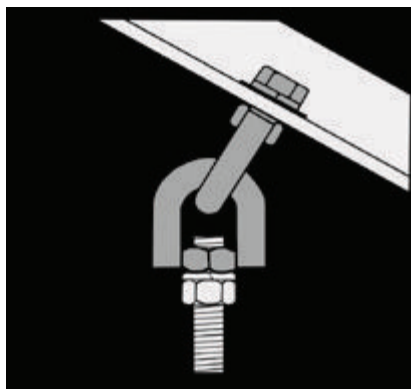


Hanger Rod Couplings

Couplings are used to connect hanger rods when lengths of more that 120" are encountered or to connect rods between trays that are hung one over the other. They also reduce field labor costs by extending new or existing hanger rods to support additional trays.

Item	Plated	SS 304	SS 316
1/2" Steel w/o Window	HRC	4HRC	6HRC
1/2" Malleable Iron with Window	HRC-G	--	--

12-SUPPORT MATERIAL

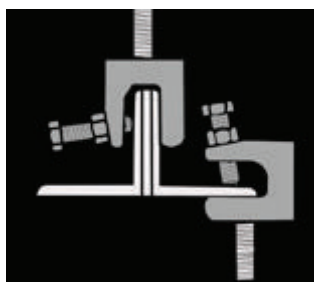


Swivel Joints

Swivel joints allow 1/2" hanger rods to swing from an inclined clamp. They are furnished with or without a 1 inch stud assembly.

Item	Plated	SS 304	SS 316
Swivel Joint Only	SJ	4SJ	6SJ
Swivel Joint With Stud	SJS	4SJS	6SJS

Maximum allowable load:
1500 lbs.

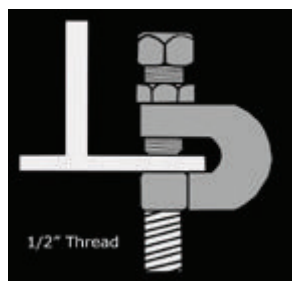


Beam Clamps

Beam clamps have 1/2" holes to attach hanger rods to a beam flange or to support channels. Furnished in unfinished iron.

Maximum allowable load:
1000 lbs.

Flange Thickness	Catalog No.
7/8"	SC-503
2"	SC-508

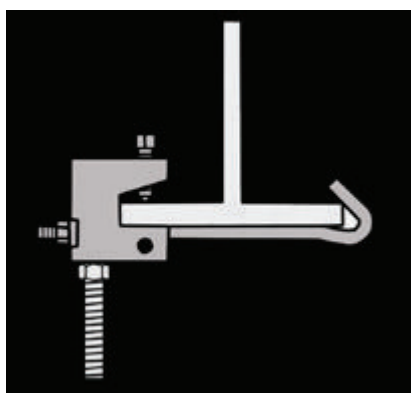


Beam C-Clamps

C-Clamps allow for the direct support of hanger rods on I-beams, wide flange beam sections and angles and are supplied in unfinished iron.

Maximum allowable load:
400 lbs.

Catalog No.
GC

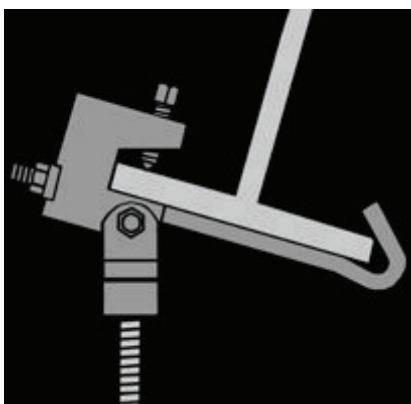


I-Beam Clamp

This wide-flanged clamp is furnished with or without a hook bolt in lengths to accommodate 6" through 12" wide beams up to 3/4" thick.

Maximum allowable load:
300 lbs.

Item	Plated Steel	SS 316
Clamp Only	PS-2622	6PS-2622
Clamp w/Hook Bolt		
Less than 6"	PS-2622-6	6PS-2622-6
6"-10"	PS-2622-10	6PS-2622-10
10"-12"	PS-2622-12	6PS-2622-12



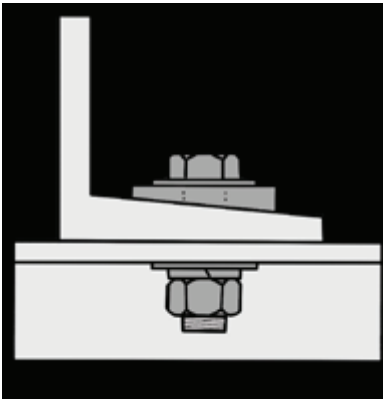
I-Beam Clamp w/Swivel

This is standard I-Beam Clamp with a hook bolt and swivel clevis.

Maximum allowable load:
300 lbs.

Item	Plated Steel	SS 316
Clamp Only	PS-2622SJ	6PS-2622SJ
Clamp w/Hook Bolt		
Less than 6"	PS-2622SJ-6	6PS-2622SJ-6
6"-10"	PS-2622SJ-10	6PS-2622SJ-10
10"-12"	PS-2622SJ-12	6PS-2622SJ-12

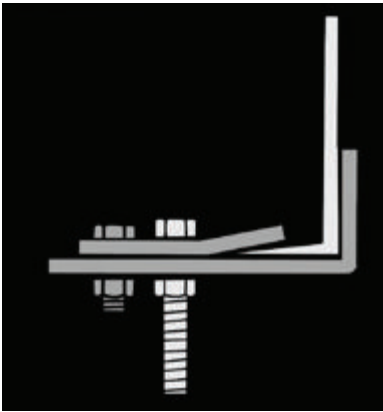
12-SUPPORT MATERIAL



Bevel Washers

The standard size is 1-1/4" square with a 1/2" bevel and a 9/16" hole. Bolt and nut not included.

Catalog No.
W-11

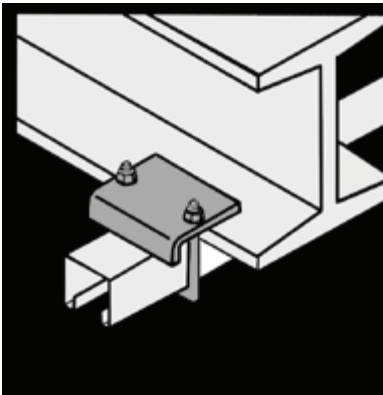


Channel Clamps

Channel clamp assemblies can be used on all American Standard channels with a flange width of 3-1/4" or less. They are furnished in zinc plated steel with or without a swivel joint.

Maximum allowable load:
500 lbs. with a safety factor of 5

Item	Zinc Plated Steel
Clamp Only	HP-177
Clamp w/Swivel Joint	HP-177SJ

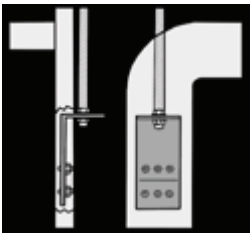


HP Channel Clamps

HP single and back to back strut type support channels are attached to structural beams with a 0.8" maximum flange thickness. Clamps are furnished with the required hardware.

Maximum allowable load:
1,275 lbs. with a safety factor of 5

Channel Type	Zinc Plated Steel
HP-200 Single Strut	HP-265A
HP-201 Double Strut	HP-265D



Vertical Hangers For Tray

TRAY	HDGAF	SS 316
All Tray Except I6,I8,8",10"	SH-VU	6SH-VU
I6,8",10"	SH-VU-I6	6SH-VU-I6
I8	SH-VU-I8	6SH-VU-I8

Vertical hangers support single-type vertical ladders or troughs from 1/2" hanger rods. Each is furnished with the required mounting hardware. The hanger is generally used to splice the vertical tray and VO90 together and support the tray. (Hanger rod not included)

Maximum allowable load:
250 lbs. per unit

Vertical Hangers For Channel



HDGAF	SH-VGU
SS 316	6SH-VGU

This hanger assembly for vertical channels accommodates either 4" or 6" wide channels and is furnished with all necessary hardware, except for the top 1/2" hanger rod to the building steel.

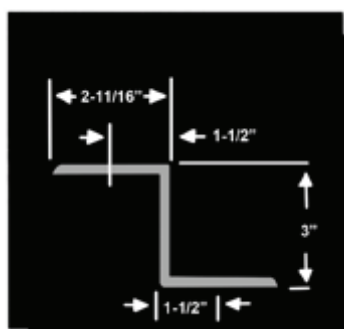
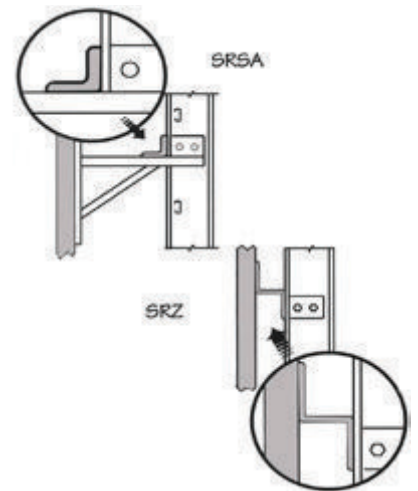
Maximum allowable load:
200 lbs.

12-SUPPORT MATERIAL

There is a wide variation of vertical run supports possible, depending on the load, support spacing and distance of the run from the wall or supporting structure. It is recommended that support spacing for vertical runs be no less than six feet and no more than twelve feet. Brackets are available for spacing of 3, 12, 24 and 36 inches from the wall to accommodate the various radii bends that may be entering or leaving the supporting wall.

Vertical runs usually consist of either a Z-Bracket for a 3 inch distance from the wall only, or a pair of brackets with the necessary support angles and clips to fasten the tray to the support. Here are two typical installations:

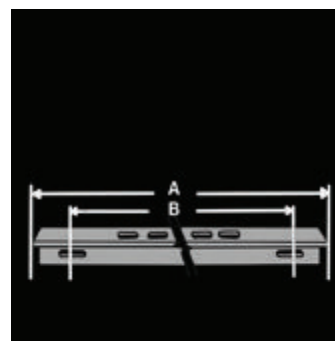
In addition to wall brackets, the proper support angle and number of bracket angle clips for the tray to be used must be determined. For each application, the actual load per bracket must be checked against the maximum allowable load on the bracket.



Z-Brackets

Z-Brackets support vertical runs at a distance of 3 inches from the wall. They have a slot pattern similar to that of bracket angles and are made from standard 7 gauge Z-shaped HDGAF steel.

Note: A & B dimension locations shown on bracket angle.



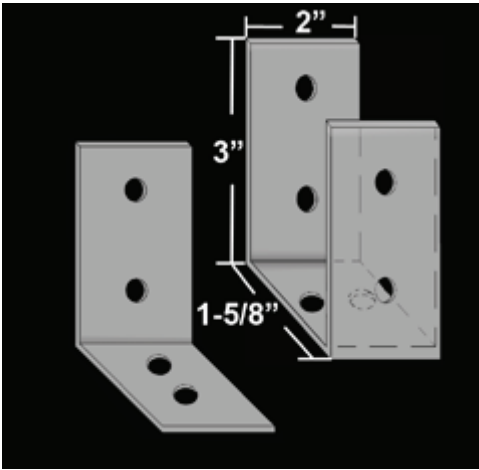
Bracket Angles

Bracket angles connect two wall brackets, which then serve as a support for vertical runs. Cable trays are then bolted to bracket angles with support angle clips. Bracket angles have a series of slots to allow the attachment of various types of tray of the same width to the same bracket angle. Fabricated from hot dip galvanized steel.

12-SUPPORT MATERIAL

Tray Width	A	B	HDGAF
Single Z-Bracket			
30 inch	44	41-1/2	SRZ-30
24 inch	38	35-1/2	SRZ-24
18 inch	32	29-1/2	SRZ-18
12 inch	26	23-1/2	SRZ-12
9 inch	23	20-1/2	SRZ-9
6 inch	18	15-1/2	SRZ-6
Double Z-Bracket			
30 inch	74	71-1/2	DRZ-30
24 inch	62	59-1/2	DRZ-24
18 inch	50	47-1/2	DRZ-18
12 inch	38	35-1/2	DRZ-12
9 inch	32	29-1/2	DRZ-9
6 inch	26	23-1/2	DRZ-6
Double Z-Bracket (for U-type support angle clips)			
30 inch	76	73-1/2	DDZ-30
24 inch	64	61-1/2	DDZ-24
18 inch	52	49-1/2	DDZ-18
12 inch	40	37-1/2	DDZ-12
9 inch	36	31-1/2	DDZ-9
6 inch	33	25-1/2	DDZ-6

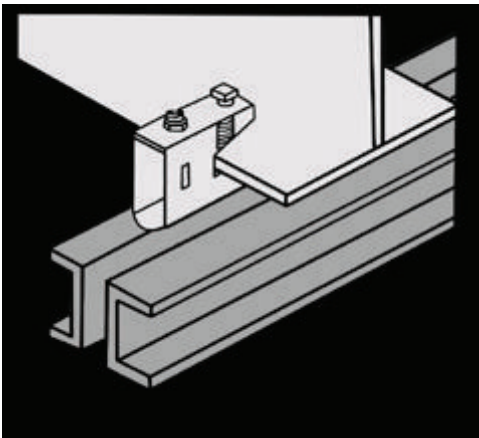
Tray Width	A	B	HDGAF
Single Bracket Angles			
30 inch	44	41-1/2	SRSA-30
24 inch	38	35-1/2	SRSA-24
18 inch	32	29-1/2	SRSA-18
12 inch	26	23-1/2	SRSA-12
9 inch	23	20-1/2	SRSA-9
6 inch	18	15-1/2	SRSA-6
Double Bracket Angles			
30 inch	74	71-1/2	DRSA-30
24 inch	62	59-1/2	DRSA-24
18 inch	50	47-1/2	DRSA-18
12 inch	38	35-1/2	DRSA-12
9 inch	32	29-1/2	DRSA-9
6 inch	26	23-1/2	DRSA-6
Double Bracket Angles (for U-type support angle clips)			
30 inch	76	73-1/2	DDSA-30
24 inch	64	61-1/2	DDSA-24
18 inch	52	49-1/2	DDSA-18
12 inch	40	37-1/2	DDSA-12
9 inch	36	31-1/2	DDSA-9
6 inch	33	25-1/2	DDSA-6



Support Angle Clips

Support Angle clips fasten a cable tray to a bracket angle or Z-Bracket. They come in single or double configurations ("L" or "U") and are furnished with the required hardware.

Item	HDGAF	SS 304	SS 316
Single Angle Clip (L type)	BKSA-C	4BKSA-C	6BKSA-C
Double Angle Clip (U type)	BKSA-DC	4BKSA-DC	6BKSA-DC

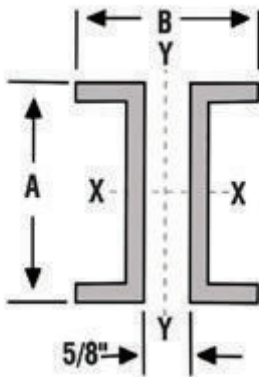


Spanner Channels

Four inch spanner channels are designed to span between beams up to 10 feet apart and give indirect support for 1/2" hanger rods from structural steel.

() = Insert Length in Inches

Item	HDGAF
Unfinished Steel	HP-904-()
HDGAF Steel	HP-904-()-G



Type	Area (in)	Wt/Ft (lbs)	X-Axis			Y-Axis			A	B
			I-in ⁴	S-in ³	R-in	I-in ⁴	S-in ³	R-in		
4 in	1.53	5.20	3.74	1.870	1.563	1.165	0.565	0.872	4	4-1/8

12-SUPPORT MATERIAL



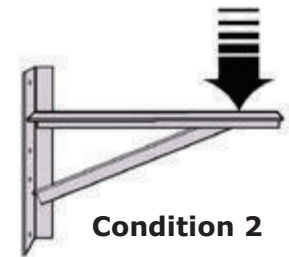
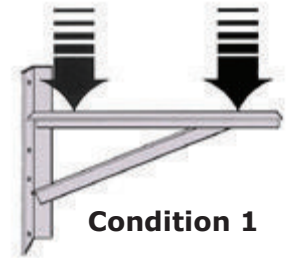
MP Husky offers a variety of wall brackets to support trays and channels from any wall or vertical support. The design of the brackets takes into consideration whether the trays or channels will be supported singly or two in parallel, on horizontal or vertical runs, the distance from the wall, bend radii, etc.

The allowable load of each type of bracket is given below:

Condition 1—Where the load is applied at two points (ladders or troughs apart in width).

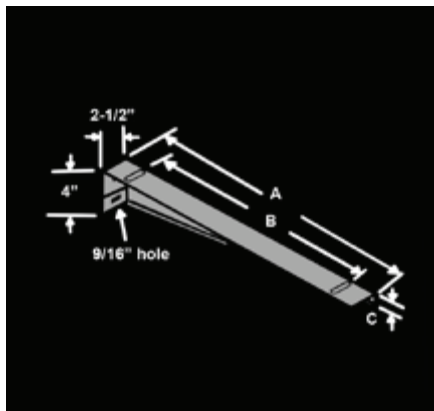
Condition 2—Where the load is applied as a single concentrated load at the end of the bracket (as when supporting vertical runs).

A minimum safety factor of 2 against yield has been used in determining the maximum allowable load. All calculations have been confirmed by testing. Brackets are most commonly used for single or double horizontal runs.



Low Headroom Brackets

Low headroom brackets are designed to attach Husky Trough and Husky Flange-In Ladder to wall mounted strut type channel framing. Available in HDGAF.



Maximum allowable load:

Condition 1—500 lbs.

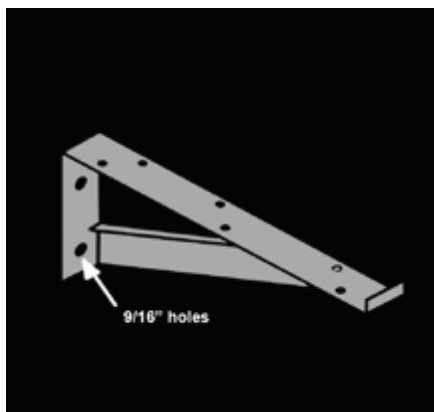
Condition 2—250 lbs.

A	B	C	HDGAF
25	21	1	VBK-24
19	15	1-3/4	VBK-18
13	9	2-1/2	VBK-12
10	6	2-13/16	VBK-9
7	3	3-3/16	VBK-6

12-SUPPORT MATERIAL

Channel Brackets

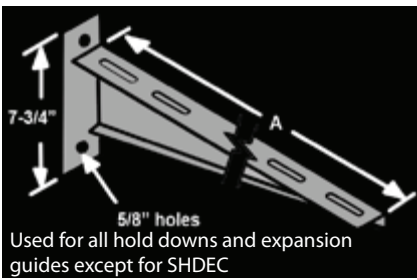
Channel brackets will accommodate single or double channel runs with pre-drilled holes for HB-10 Hold Down Bolts or SGB-GU expansion guides, purchased separately.



Maximum allowable load:

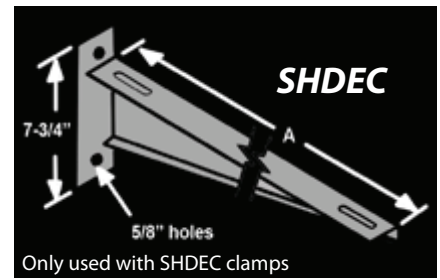
Twice the allowable load for the respective channel at a support spacing of 10 feet.

Item	HDGAF	SS 304	SS 316
Single for 4" Channel	SSBK-G	4SSBK-G	6SSBK-G
Double for 4" Channel	SDBK-G	4SDBK-G	6SDBK-G
Single for 6" Channel	SSBK-G6	4SSBK-G6	6SSBK-G6
Double for 6" Channel	SDBK-G6	4SDBK-G6	6SDBK-G6



One Piece Universal Wall Bracket (NEW)

One piece, light duty brackets are made from 1/8" thick hot dip galvanized steel. Placing one bracket below another allows a minimum vertical spacing of cable trays of 8". Hold down clamps are not included.



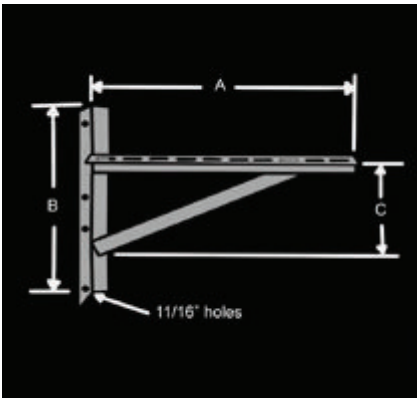
Maximum allowable load:

Condition 1—600 lbs.
Condition 2—300 lbs.

Tray Width	"A"	Catalog No.
24"	30.750"	WBK-24-U
18"	24.750"	WBK-18-U
12"	18.750"	WBK-12-U
9"	15.750"	WBK-9-U
6"	12.750"	WBK-6-U

Tray Width	"A"	Catalog No.
24"	32.625"	WBK-24-SHDEC
18"	26.625"	WBK-18-SHDEC
12"	20.625"	WBK-12-SHDEC
9"	17.625"	WBK-9-SHDEC
6"	14.625"	WBK-6-SHDEC

NOTE: SHDEC Clamps are only recommended for use with Flange-Out tray



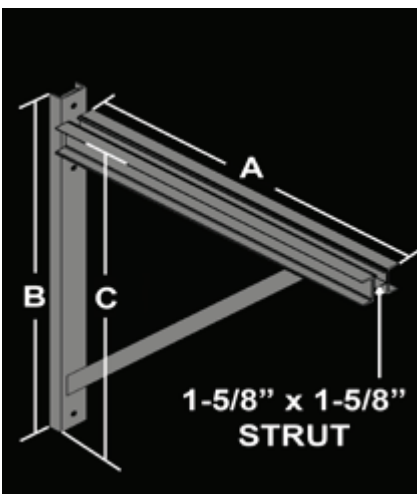
Medium Weight Brackets

Medium weight brackets are used primarily to support 2 ladders side by side or 2 ladders one over the other. They are made of 3/16" structural angle, welded and hot dip galvanized. The horizontal support angle is continuously slotted to increase the versatility of the bracket. Mounting holes are 9/16" x 1-1/2" and are spaced 2" on center.

Maximum allowable load:

Condition 1: 1200 lbs.
Condition 2: 600 lbs.

Type	A	B	C	Catalog No.
49"	49	31-1/2	25-1/2	WBK-49M
39"	39	26	20	WBK-39M
30"	31	21	15	WBK-30M
21"	21	18	12	WBK-21M



Heavy Weight Brackets

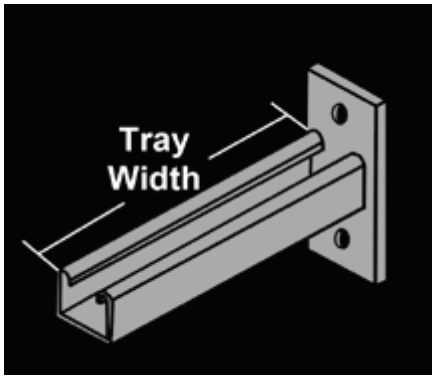
Heavy weight, channel type brackets are used to support long spans or multiple ladder or trough installations that exceed the load capacity of ordinary brackets. They are welded from 3" structural steel channel with 1-1/2" channel stiffening members and 1-5/8" x 1-5/8" strut and hot dip galvanized. To develop the full strength of the bracket, the (3) 1/2" diameter bolts for which the wall members are drilled must be used. Tray is attached to the bracket using spring nuts and hold down clips.

Maximum allowable load:

4,000 lbs. when applied as 2 equally concentrated loads, spaced at least 2'-4" apart on brackets five feet wide and under; or at least 4'-6" apart on brackets over five feet

Type	A	B	C	Catalog No.
66"	66	63	56	WBK-66C
60"	60	63	56	WBK-60C
54"	54	51	44	WBK-54C
48"	48	51	44	WBK-48C
42"	42	39	32	WBK-42C
36"	36	39	32	WBK-36C

12-SUPPORT MATERIAL



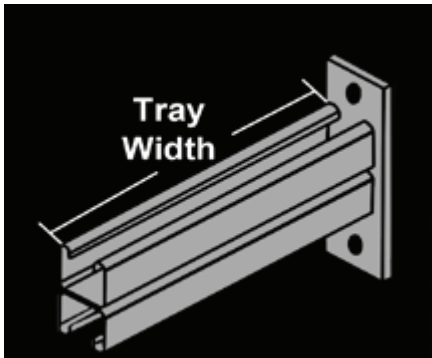
Single Strut Brackets

Designed primarily for use with strut framing, these brackets will work well in other applications. The uniform loads shown represent a 2.5 safety factor. Furnished in HDGAF steel.

Allowable concentrated end load:

One half the listed uniform load.

Tray Width	Uniform Load	Flange-In Flange-Out	Flange Out
24"	200lbs.	HP-S250-30	HP-S250-30
18"	500lbs.	HP-S250-24	HP-S250-24
12"	700lbs.	HP-S250-15	HP-S250-18
9"	700lbs.	HP-S250-12	HP-S250-15
6"	1000lbs.	HP-S250-9	HP-S250-12



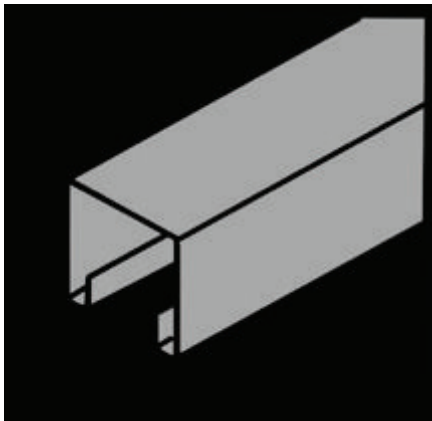
Double Strut Brackets

Similar to single strut brackets, but for wider trays and heavier loads. The uniform load shown represent a 2.5 safety factor. Furnished in HDGAF steel.

Allowable concentrated end load:

One half the listed uniform load.

Tray Width	Uniform Load	Flange-In Flange-Out	Flange Out
36"	400lbs.	HP-S251-42	HP-S251-42
30"	650lbs.	HP-S251-36	HP-S251-36
24"	800lbs.	HP-S251-30	HP-S251-30
18"	1000lbs.	HP-S251-24	HP-S251-24



Strut Type Support Channel

HP-type channels provide indirect support for hanger rods by spanning between available structural support beams and channels. The channel is supplied in 10' or 20' lengths and can easily be field cut to the length needed for use as a trapeze-type support. Available in single or double (back to back) configurations.

() = Length in Inches

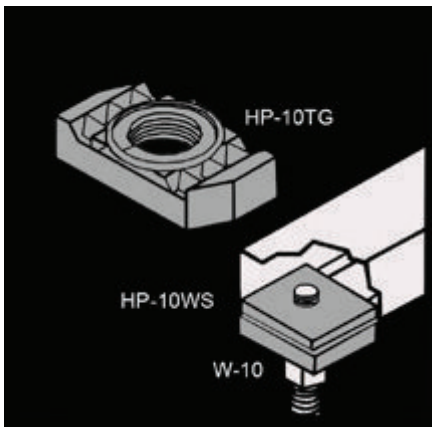
	Single	Double
Width	1-5/8"	1-5/8"
Depth	1-5/8"	3-1/4"
Weight/Foot	2 lbs.	4 lbs.
Black Steel	HP-200-()	HP-201-()
Mill Galvan.	HP-200-()-P	HP-201-()-P
HDGAF	HP-200-()-G	HP-201-()-G

add **-EH-** before length for 9/16" x 7/8" slotted holes, 2" on center
add **-H3-** before length for 9/16" round holes, 1-7/8" on center

EXAMPLE: **HP-200-EH-120-P**

12-SUPPORT MATERIAL

Strut Hardware



Item	Plated Steel	SS 304	SS 316
1/2" Spring Nut	HP-10TG	4HP-10TG	6HP-10TG
3/8" Spring Nut	HP-10TG-3/8	4HP-10TG-3/8	6HP-10TG-3/8
1/2" Square Blank Nut	HP-10WS	4HP-10WS	6HP-10WS
3/8" Square Blank Nut	HP-10WS-3/8	4HP-10WS-3/8	6HP-10WS-3/8
1-1/2" Square Washer, 9/16" Hole	W-10	W-10-4S	W-10-6S
1-1/2" Square Washer, 7/16" Hole	W-10-3/8	W-10-3/8-4S	W-10-3/8-6S
1/2" x 1-1/2" Hex Head Cap Screw	B-61	B-61-4S	B-61-6S
3/8" x 1-1/2" Hex Head Cap Screw	B-12	N/A	B-12-6S
1/2" Split Lock Washer	W-9	W-9-4S	W-9-6S
3/8" Split Lock Washer	W-17	N/A	W-17-6S
1/2" x 13 Hex Nut	N-12	N-12-4S	N-12-6S
3/8" x 16 Hex Nut	N-17	N/A	N-17-6S
1/2" Flat Washer	W-12	W-12-4S	W-12-6S
3/8" Flat Washer	W-24	W-24-4S	W-24-6S